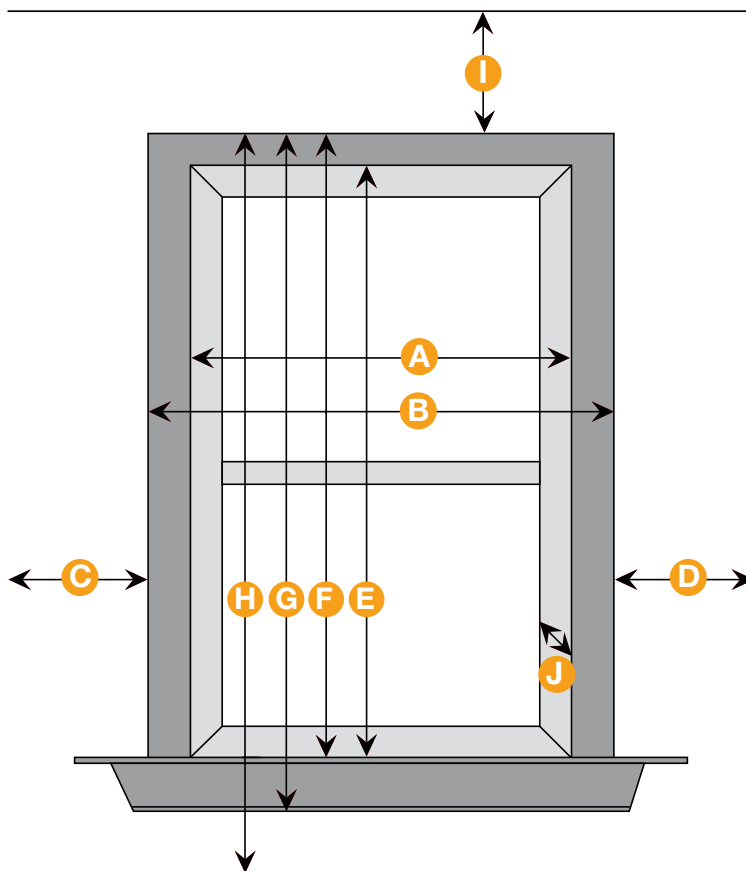


MEASURING YOUR WINDOWS

Calico Corners® recommends professional measuring and installation to ensure a perfect fit. Measurements completed by you will help us provide an accurate quote for your projects.

MEASURING HINTS:

1. Use a metal measuring tape, not a ruler or cloth tape measure. Write your measurements in the spaces provided and double-check them!
2. Measure all windows, even if they appear to be the same size. The differences may surprise you. Note the location of each window, using multiple forms as needed.
3. With decorative traverse rods or cafe curtains hung by rings, start measuring from the bottom of the ring.
4. For desired finished length, please fill in E, F, G, or H.
5. Additional forms can be downloaded from calicocorners.com.



- A. Inside Width _____
B. Outside Width _____
C. Left Wall Space _____
D. Right Wall Space _____
E. Inside Length _____
F. Top of Frame to Sill _____

- G. Top of Frame to Apron _____
H. Top of Frame to Floor _____
I. Top of Frame to Ceiling _____
J. Window Depth _____
 Check here if rod is already in place.

CalicoCorners

dream it. design it. done.